



Table-Rotating Type
Compact Roundness Measuring Instrument

RONDCOM TOUCH

*Entry level worldwide strategic machine
pursuing low cost and ease of use*

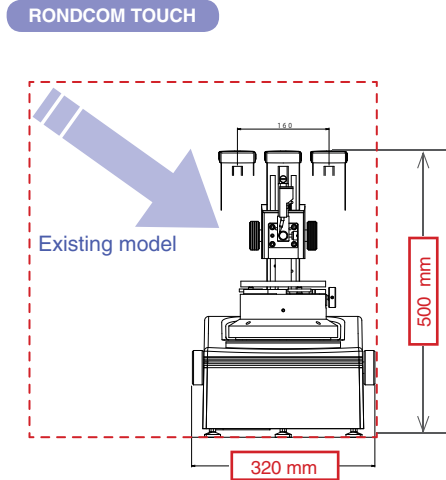
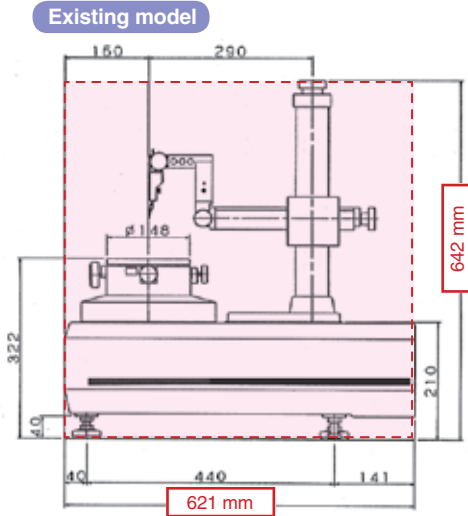


TOKYO SEIMITSU

01 Compact Design

Width is 320 mm which is 49% reduction and height is 500 mm which is 22% reduction compared to our existing model.

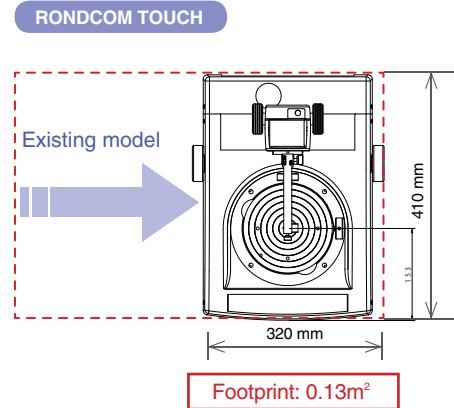
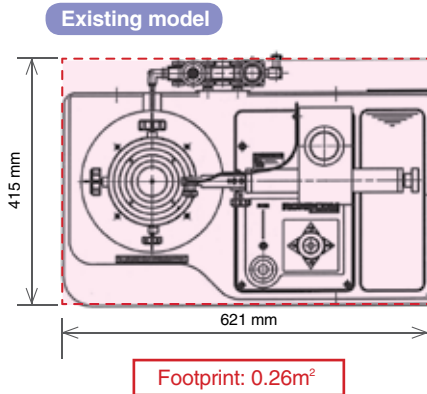
Most compact in class!!



02 Small Footprint: 0.13m²

50% reduction of footprint compared to our existing model.

Most compact in class!!



03 Lightweight Design –Achieved 1/4 of mass of existing model

Mass of the measuring unit is 26 kg which is 78% reduction compared to our existing model.

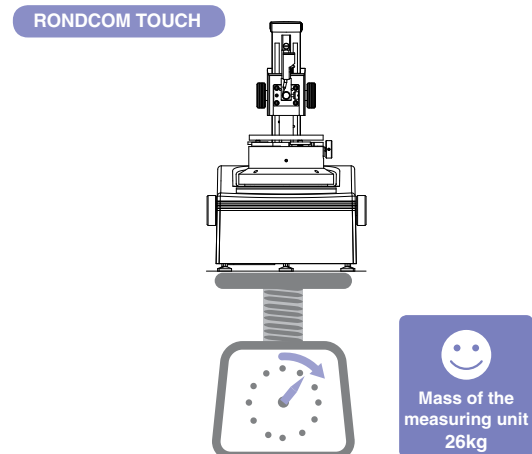
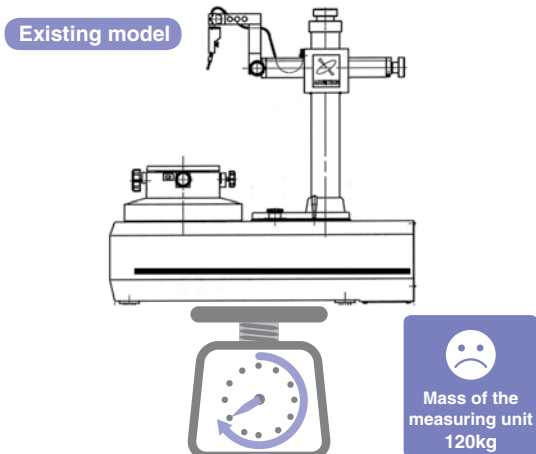


Table-Rotating Type
Compact Roundness Measuring Instrument

RONDCOM TOUCH

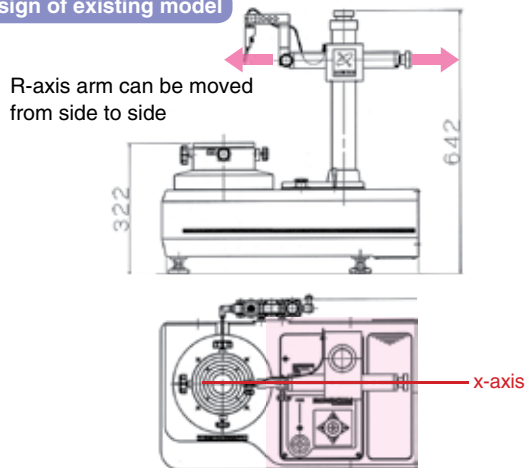


04 Movable Column Design (Patent pending)

Distinctive movable column design

World-first!!
Patent pending

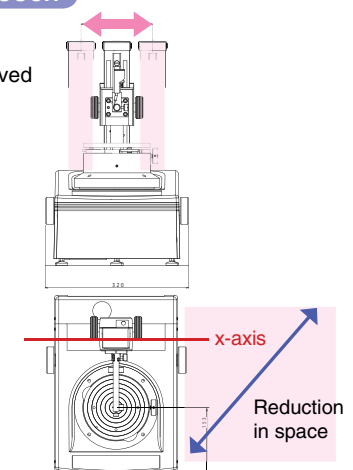
Design of existing model



Design of RONDCOM TOUCH

Z-axis column can be moved from side to side

The placement of X-axis behind the main basement contributes to its compact design.

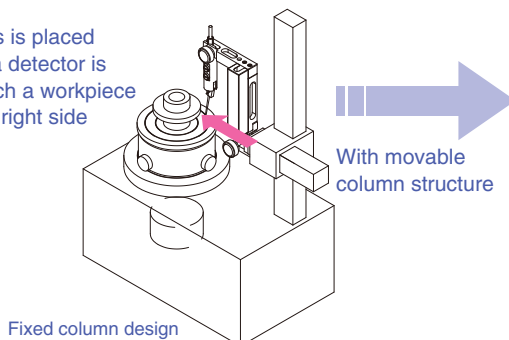


05 Advantages from Movable Column Design

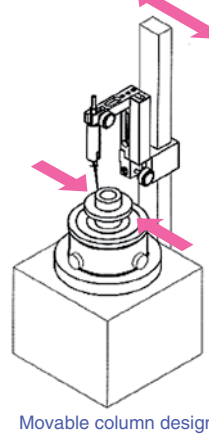
Movable column type allows a detector to reach a workpiece from both right and left sides.

Patent pending

In case Z-axis is placed on the right, a detector is limited to reach a workpiece only from the right side

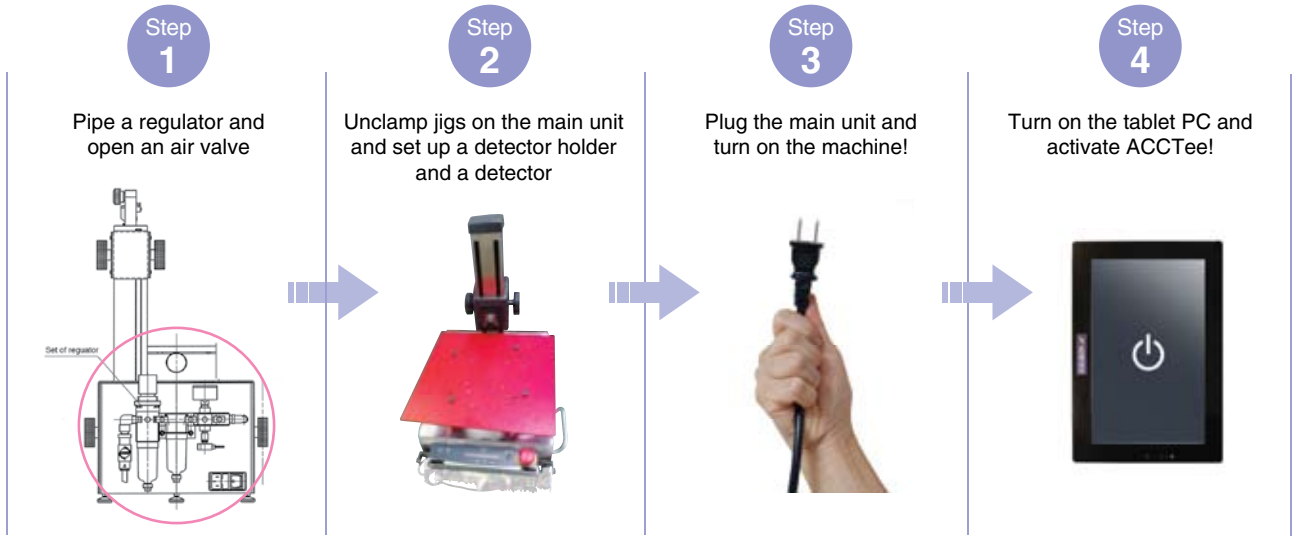


A detector can flexibly reach a workpiece!!



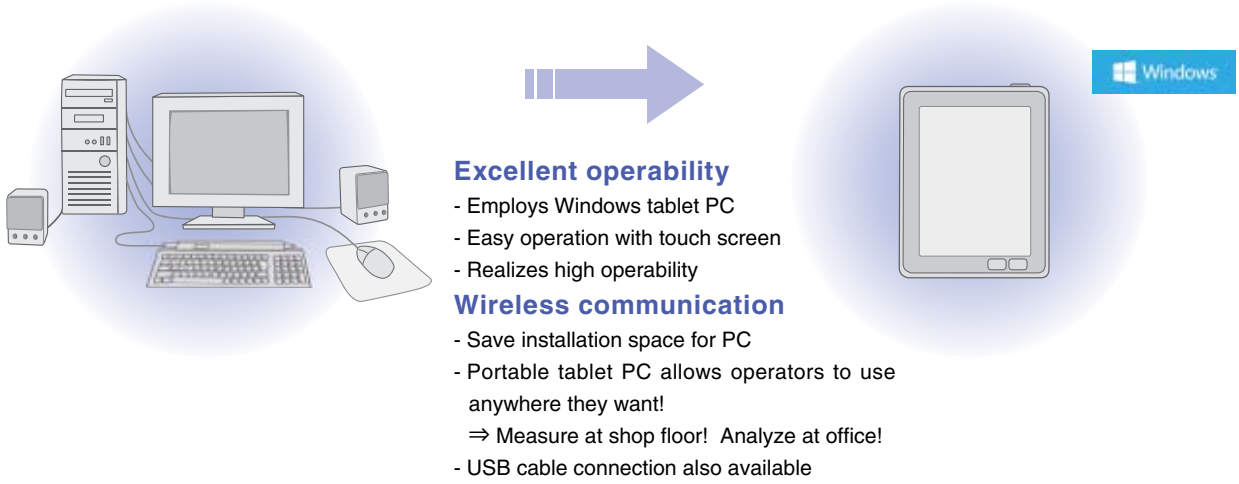
※ Note: Above illustrations are images. Therefore, they do not represent RONDCOM TOUCH.

06 Simple Setup



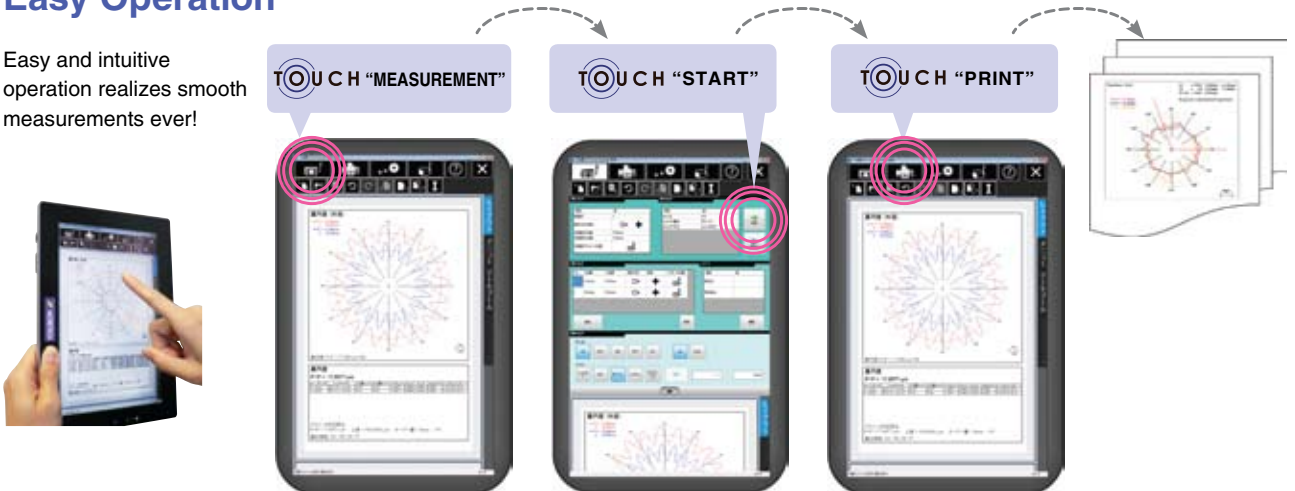
07 Tablet PC

From Desktop PC To Tablet PC

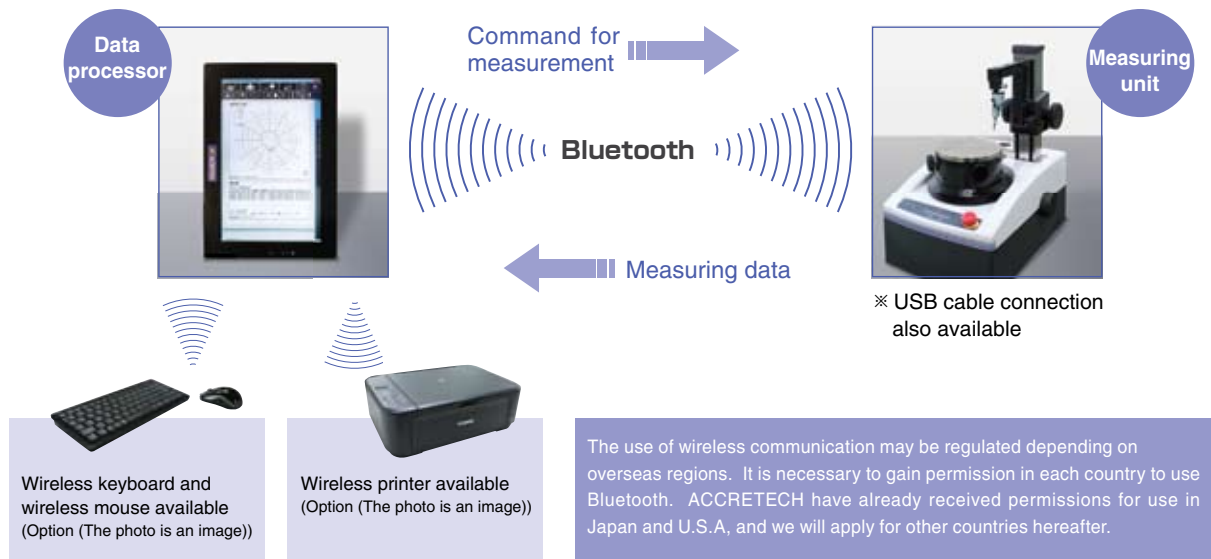


08 Easy Operation

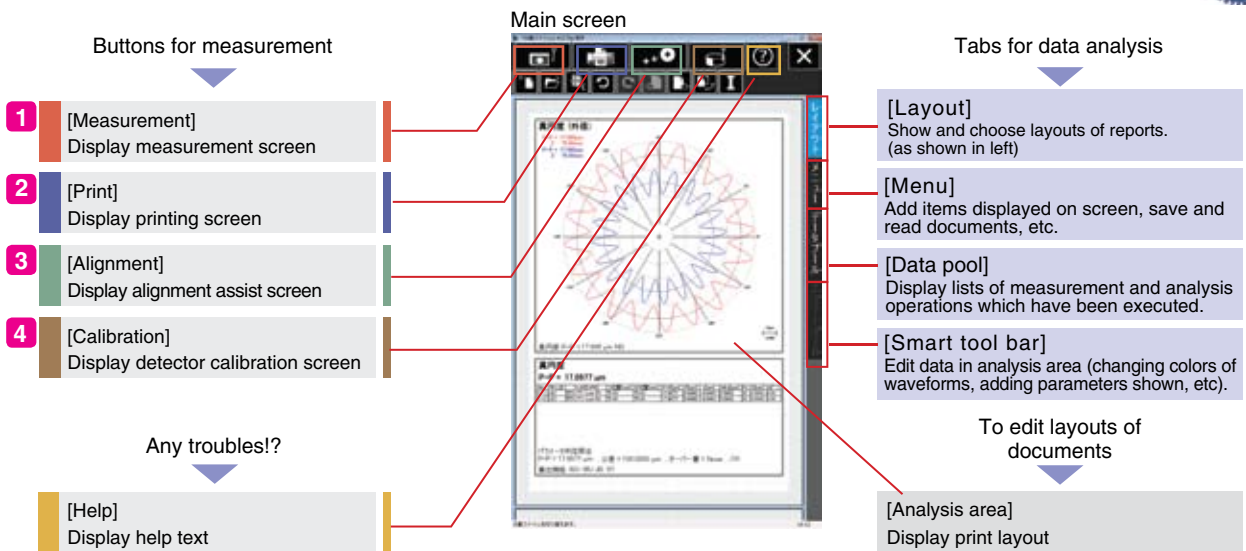
Easy and intuitive operation realizes smooth measurements ever!



09 Wireless Communication (Wired communication also available)



10 All Necessary Icons on One Screen

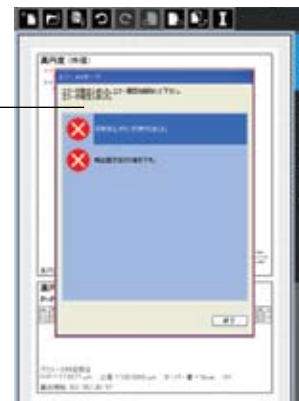


11 Error Judgment (Standard)

If any problem occurs, this function identifies an error and shows a countermeasure to solve it.

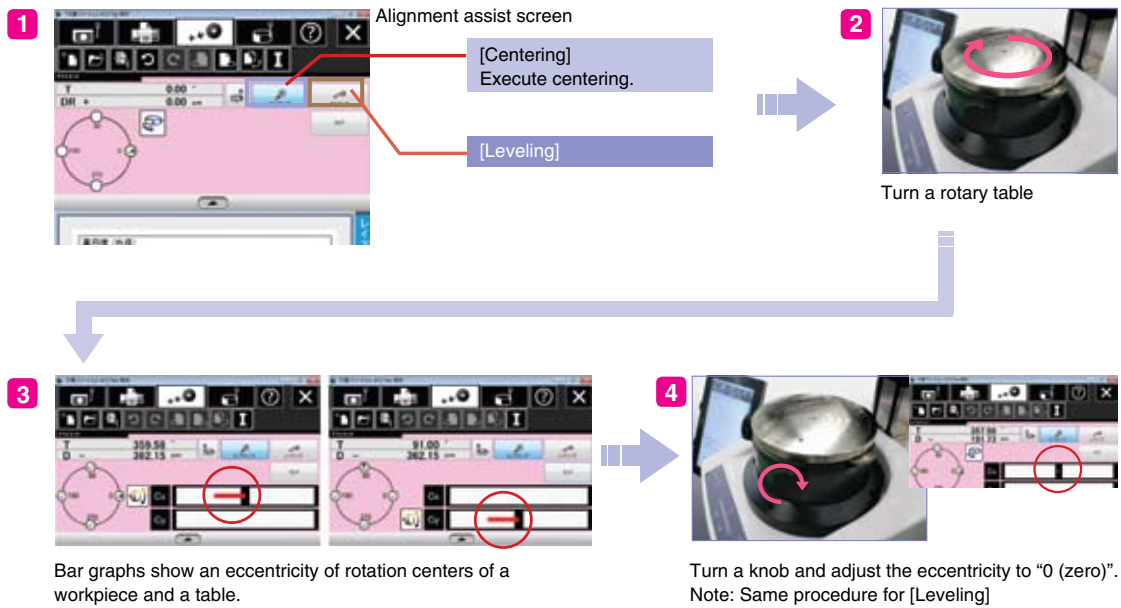
An error message shown with judgment informs an operator of an error status immediately.

- Error examples:
- Lower air pressure
 - Detector touches a workpiece too much
 - Motor overcurrent
 - Communication cut-off
 - Time-out





12 Alignment Assist Function (Standard)

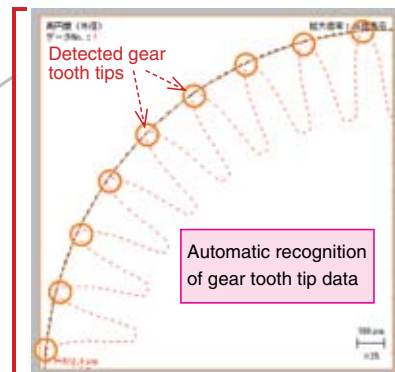
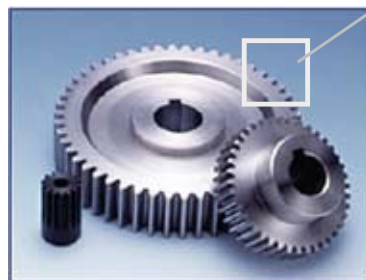


13 Gear Analysis Function (Standard)

This function automatically recognizes gear tooth tips and allows roundness analysis using only tip surface data. (Roundness AI function)

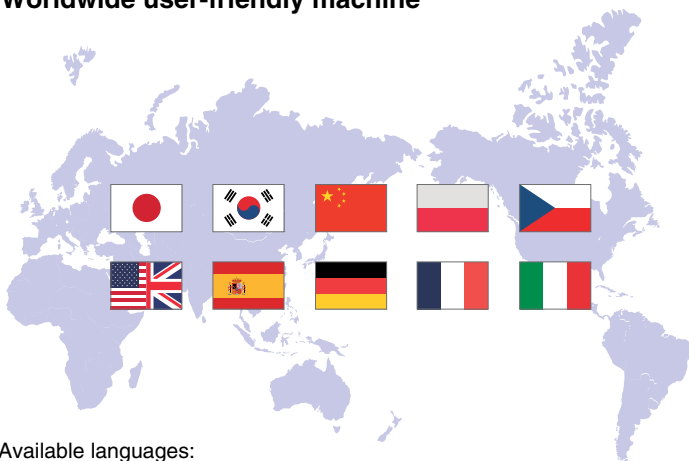


Point
Operators do not need to set a number of notch segment.



14 Multi Languages (Standard)

Worldwide user-friendly machine



Available languages:
Japanese, English, German, French, Italian, Spanish, Chinese, Korean, Czech, Polish

Sample of English display



Specifications: (Measuring unit)

Model		RONDCOM TOUCH	
Measuring method		Manual	
Measuring range	Max. measuring diameter	φ150 mm	
	Right/left feed range (X-axis)	± 80 mm (Manual)	
	Up/down feed range (Z-axis)	162 mm (Manual)	
	Max. loading diameter	φ240 mm	
	Max. measuring height	160 mm	
Rotation accuracy	Radial direction JISB7451-1997	(0.04+6H/10,000) μm H: Measuring height [mm]	
	Axial direction	(0.04+6R/10,000) μm R: Measuring radius [mm]	
Rotational speed		6/min Fixed	
Rotary table	Table outer diameter		φ148 mm
	Adjustment range	Centering	±2 mm (Manual)
		Tilting	±1 ° (Manual) * Fixed tilting fulcrum mechanism
	Max. load		15 kg
Detector	Detection range		±400 μm
	Measuring force		70 mN
	Stylus shape		φ1.6 mm carbide ball
	Stylus length		17 mm

Standard configuration and accessories

- Measuring unit
- Set of data processor (Tablet PC)
- Measurement and analysis integrated software ACCTee tablet version
- Standard detector holder [E-DT-RA61A]
- Standard detector [E-DT-R272A]
- Stylus [0194 002]
- Set of regulator (attached to main unit)
- Block gauge for magnification calibration (1.47 mm, 1.49 mm)

Option (examples)

- A4 ink jet color printer
- Bench [E-DK-R56A]
- Magnification calibration set [E-MC-R04A]
- Master ball [E-MG-R01B]
- Scroll chuck [E-WJ-R01C]
- Stand for tablet PC

Data processor

Data processor		Tablet PC	
OS		Windows®	
Communication	Wireless	Bluetooth®	
	Wired	USB 2.0	
Display device		10.1-inch TFT color LCD with touch panel (electrostatic capacitive type)	
Interface		USB 2.0 × 2 pcs.	
Software		ACCTee tablet version	
Digital filter		Gaussian, Phase-compensation type 2RC, Spline, Robust (Spline)	
Cutoff value	Rotation direction	Low pass	15, 50, 150, 500 peaks/rotation any value in range 15 to 500 peaks/rotation
		Band pass	15 to 150, 15 to 500 peaks/rotation
Display magnification		10 to 200 k (22 stages), Auto	
Roundness evaluation of from error		MZC (Min. zone circle method), LSC (Least square circle method), MIC (Max. inscribed circle method), MCC (Min. circumscribed circle method), N.C. (No correction)	
Measuring items	Rotation direction	Roundness, flatness, concentricity, parallelism, coaxiality, squareness, thickness deviation, run-out	
Analysis processing function		Notch function (level, angle, cursor), profile characteristic graph display (bearing area curve, amplitude density function, power spectrum) Gear analysis	
Special function		Alignment assist function Error judgment function Security by password	
Recording system		Color printer (option)	

Others

Power supply	Voltage (frequency)		Single-phase AC100 V to 240 V (50 / 60 Hz)
	Power consumption		Max. 50 VA (Excluding tablet PC and printer)
Air supply	Supply pressure		0.3 MPa to 0.7 MPa
	Working pressure		0.25 MPa
	Air consumption		30 NL / min
	Supply position		Back of measuring unit
	Connecting nipple for air supply		One - touch pipe joint for outer diameter φ8 mm hose
Dimensions and weight	Measuring unit	Dimensions	320 (W) × 410 (D) × 500 (H) mm
		Weight	Approx. 26 kg
	Tablet PC	Dimensions	183 (W) × 15.8 (D) × 263 (H)mm
		Weight	Approx. 1 kg

- ※ For the use of Bluetooth, it is necessary to gain permission in each country.
The use of wireless communication may be restricted depending on overseas regions.
Please contact your nearest ACCRETECH.
- ※ Please prepare power supply, air supply and connecting hoses before installation.
- ※ The contents of this catalogue may be changed without notice when products are updated.

Stylus (Standard detector [For E-DT-R272A])

Name	Measuring application	Model	External view	Remarks
Ball stylus	General purpose	0194 000		φ3.2 mm Carbide ball ※ Component of standard detector and styli set
	Small holes	0194 001		φ1.0 mm Carbide ball ※ Component of standard detector and styli set
	General purpose	0194 002		φ1.6 mm Carbide ball ※ Standard accessory
	Extra small holes	0194 009		φ0.5 mm Carbide ball
	Extra small holes	EM49030-S361		φ0.5 mm Ruby ball
	Extra small holes	EM49030-S381		φ0.3 mm Ruby ball
L-type stylus	Grooves	0194 003		R0.25 mm, 55° conical Sapphire
	Deep grooves	0194 004		R0.25 mm, 55° conical Sapphire ※ Component of standard detector and styli set
	Corners	0194 005		R0.25 mm, 55° conical Sapphire
	Cutter mark removal	0194 010		R0.25 mm Sapphire
T-type stylus	Grooves	0194 006		R0.25 mm, 55° conical Sapphire
	Grooves	0194 007		R0.25 mm, 55° conical Sapphire ※ Component of standard detector and styli set
	Deep grooves	0194 008		R0.25 mm, 55° conical Sapphire

Stylus set * Above mentioned items in are components of a standard detector and styli set.

Name	Model	External view	Remarks
Standard detector and styli set	E-DT-R276A		Combination of standard detector [E-DT-R272A] and styli listed to the left Components: 1) Standard detector [E-DT-R272A] 2) General purpose stylus [0194 000] 3) Small hole stylus [0194 001] 4) Deep groove stylus [0194 004] 5) Groove stylus [0194 007] Note: General purpose stylus [0194 002] is not included in this set.



Detector

Name	Model	External view	Specifications	Remarks
Standard	E-DT-R272A		Measuring range: $\pm 400 \mu\text{m}$ Measuring force: 70 mN Front adjustment mechanism ID/OD change function	Standard accessory for RONDCOM TOUCH Stylus for general purpose [0194 002] $\phi 1.6 \text{ mm}$ Carbide ball (Standard accessory) ※ Component of standard detector and styli set General purpose stylus [0194 002] is not included in standard detector and styli set.

Calibrators

Name	Model	External view	Specifications	Remarks
Magnification calibration set	E-MC-R04A		Max. calibration range: 400 μm Min. scale interval: 0.2 μm Weight: 17 kg	-
Master ball	E-MG-R05B		Sphericity: 0.05 μm Material: Chrome bearing steel	E-MG-R05B provided in wooden box.
	E-MG-R01B			-

Bench

Name	Model	External view	Specifications	Remarks
Bench	E-DK-R56A		-	Dimensions: 570(W) \times 490(D) \times 652(H) mm

Adjustment Devices

Name	Model	External view	Specifications	Remarks
Scroll chuck	E-WJ-R01C		Securing range : OD $\phi 2$ to 79 mm : ID $\phi 20$ to 90 mm OD : $\phi 118$ mm Height : 41 mm Weight : 1 kg	-
Pin vice set	E-WJ-R411A		Chuck range A-1 : 0.1 to 1.1 mm B-2 : 1.2 to 2.0 mm A-3 : 2.0 to 2.5 mm B-4 : 2.5 to 3.2 mm	-

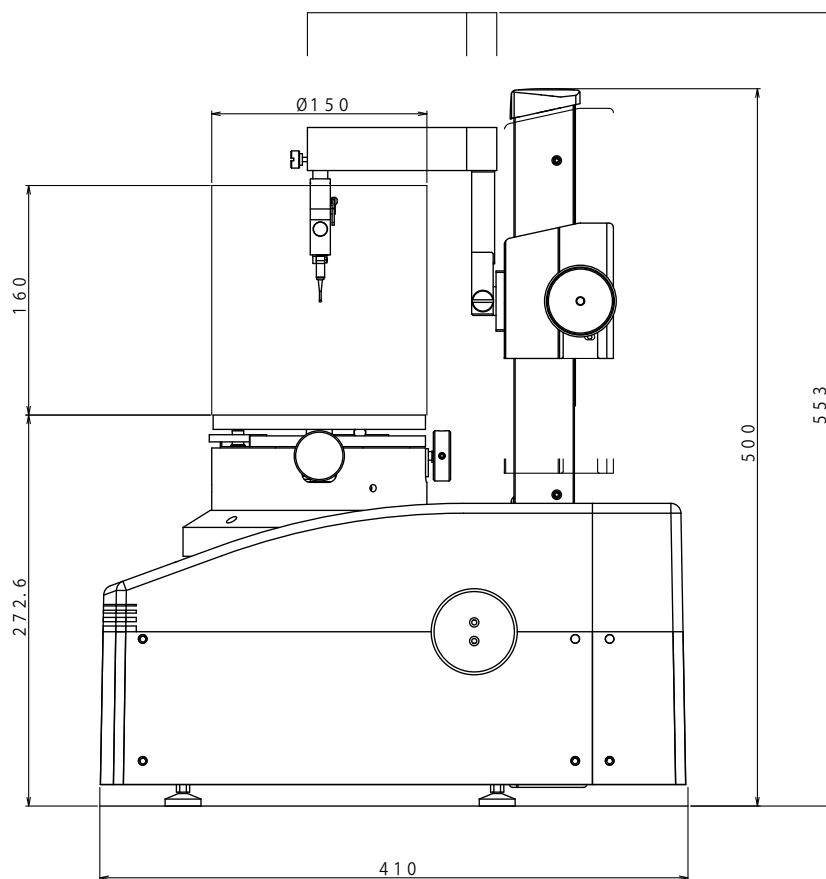
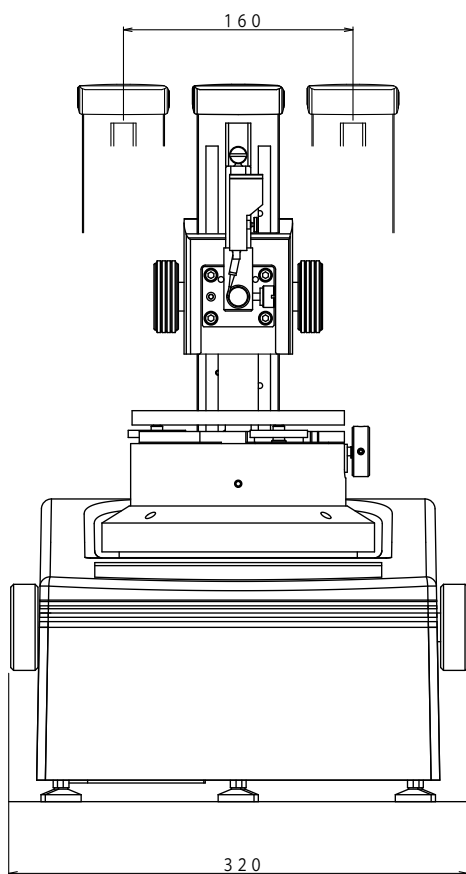
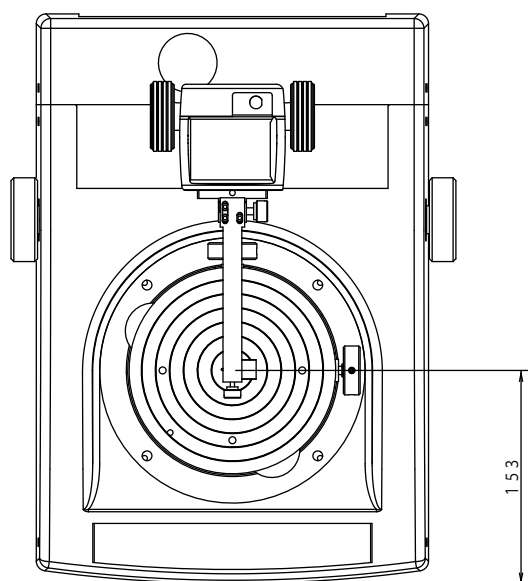
Peripherals

Name	Model	External view	Specifications	Remarks
Refrigerating type air dryer	L-WF-R03B		Max. flow : 100L/min Power consumption: 165/195 W (50/60 Hz) Weight : 15 kg	Power supply: 100V AC only Dimensions: 220(W) \times 350(D) \times 400(H)mm
	L-WF-R24A		Max. flow : 200L/min Power consumption: 180/202 W (50/60 Hz) Weight : 18 kg	Power supply: 230V AC only Dimensions: 226(W) \times 410(D) \times 473(H)mm CE mark
Oil separator	L-WF-R07A		Filtration: 0.1 μ m	Dimensions: 100(W) \times 190(H) mm Weight: 1.7 kg
Water separator	L-WF-R08A		-	Dimensions: 100(W) \times 80(D) \times 280(H) mm
Air purifier set	L-WF-R11A		Oil separator, L-WF-R07A, and water separator, L-WF-R08A, are mounted on a plate	Dimensions: 320(W) \times 170(D) \times 378.5(H) mm

Consumables

Name	Model	External view	Specifications	Remarks
Filter element	63092	-	AFM20P-060AS	For mist separator; model [AWM20-02C-2R]
Micro filter element	630611	-	AFD20P-060AS	For micro mist separator; model [AFD20-02C-2R]
Lubricating oil	-	-	-	180CC / Mobile Vactra Oil #2

Dimensions



■ Head Office

2968-2, Ishikawa-machi, Hachioji-city, Tokyo 192-8515, Japan
TEL: 81(42)642-1701 FAX: 81(42)642-1821

■ International Sales and Marketing

4, Higashi-Nakanuki-machi, Tsuchiura-city, Ibaraki 300-0006, Japan
TEL: 81(29)831-1240 FAX: 81(29)831-6676

■ Germany / Accretech (Europe) GmbH (Head Office)

Landsberger Str. 396, D-81241 Munich, Germany
TEL: 49(89)546788-0 FAX: 49(89)546788-10

■ China / Accretech (China) Co., Ltd. (Head Office / Shanghai)

Room 2101C, No 1077, Zuchongzhi Road, Pudong New Area, Shanghai, China, 201203
TEL: 86(21)3887-0801 FAX: 86(21)3887-0805

■ Korea / Accretech Korea Co., Ltd. (Head Office / Seongnam)

3F, Fine Venture Bldg., 345-1 Yatap-dong, Bundang-gu, Seongnam-si, Gyeonggi-do, 463-828, Korea
TEL: 82(31)786-4000 FAX: 82(31)786-4090

(Korea / Ulsan Office)

2015 2F Jinjang Deplex 285-3 Jinjang-dong, Buk-gu, Ulsan, Korea
TEL: 82(52)268-2136 FAX: 82(52)268-2137

■ Thailand / Tokyo Seimitsu (Thailand) Co., Ltd. (HQ & Metrology)

2/3 Moo 14, Bangna Towers B 1st floor, Bangna-Trad Rd., K.M. 6.5, Bangkaew, Bangplee, Samutprakarn 10540 Thailand
TEL: 662(751)9573, 9574 FAX: 662(751)9575

■ Vietnam / TOKYO SEIMITSU CO., LTD. (HANOI REPRESENTATIVE OFFICE)

8F, Office Building, No.85 Nguyen Du Street, Nguyen Du Ward, Hai Ba Trung District, Hanoi
TEL: 84(43)941-3309 FAX: 84(43)941-3310

■ Indonesia / TOKYO SEIMITSU CO., LTD. (INDONESIA REPRESENTATIVE OFFICE)

Ruko Thamrin Block F4, 3rd Floor Jl. M.H. Thamrin, Lippo Cikarang, Bekasi, 17550 Indonesia
TEL: 62(0)21-8990-2863 FAX: 62(0)21-8990-2864

<http://www.accretech.jp/>



•ISO 9001 and ISO14001 awarded to the Hachioji and Tsuchiura Plants

•We reserve the right to change the contents of this catalog, including product specifications, without notice when products are updated.